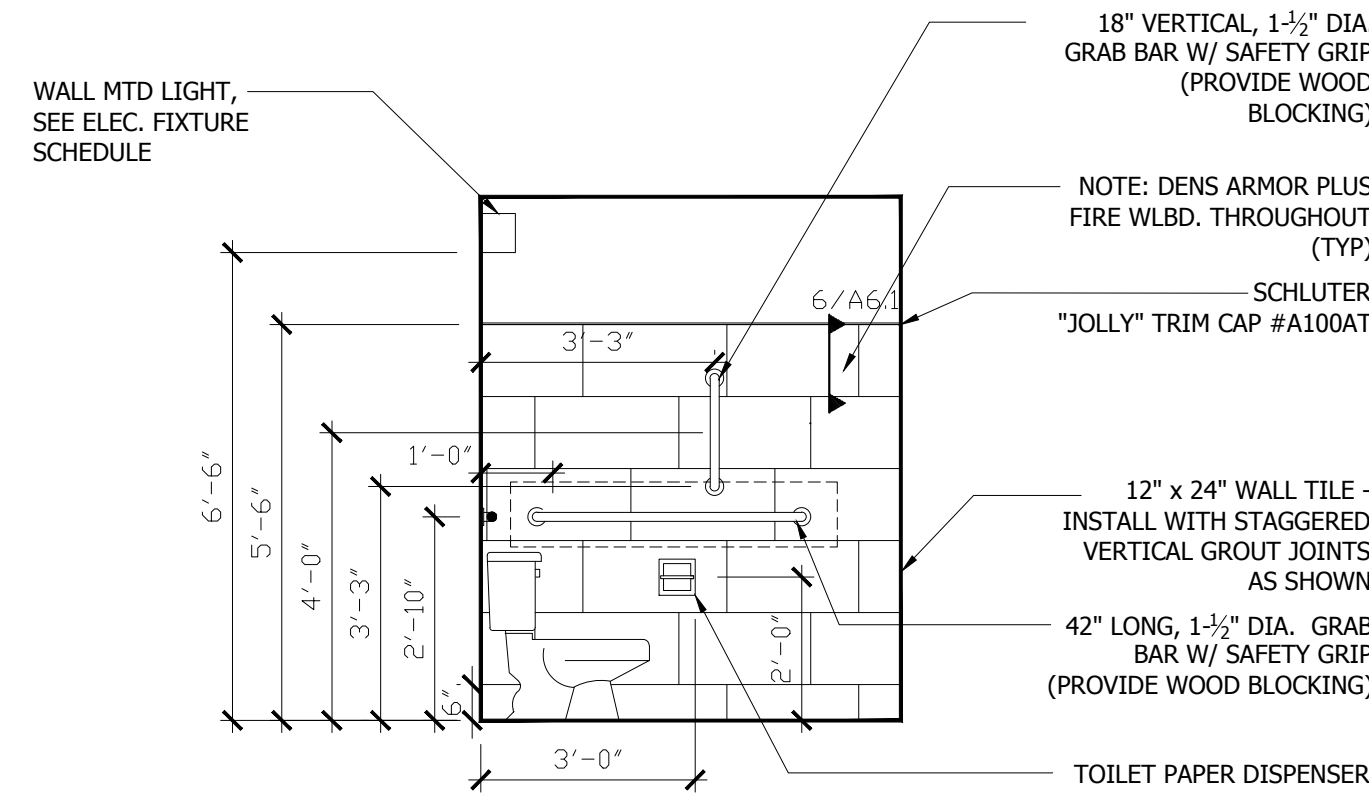
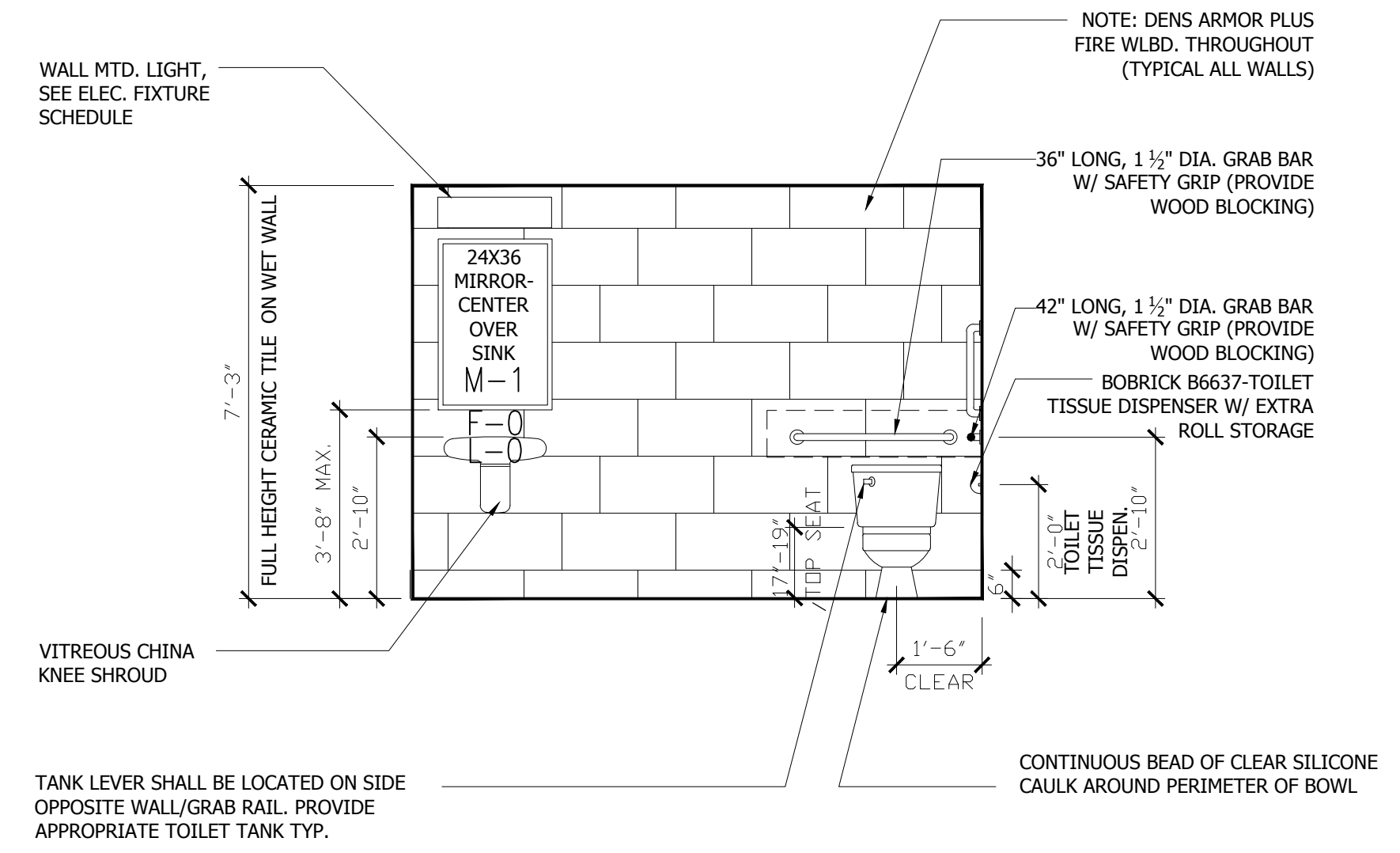


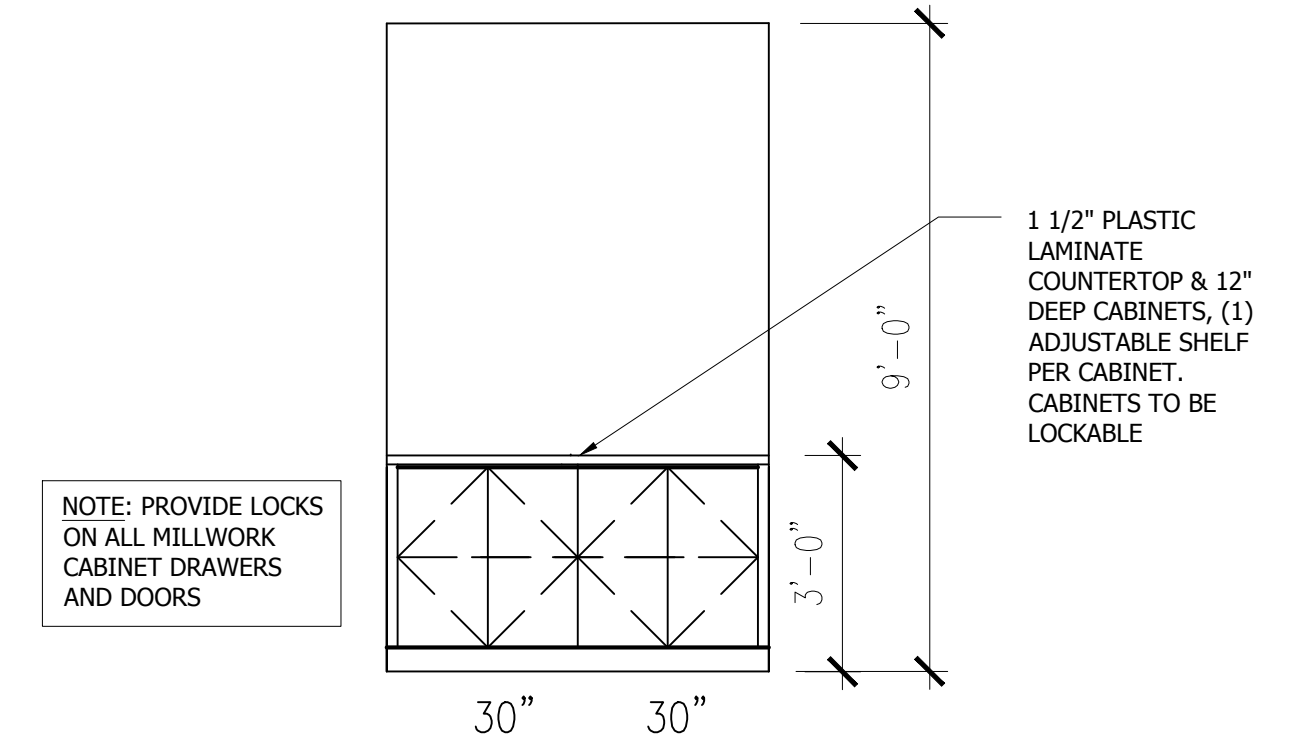
3 COPY #16 - ELEVATION
A4.02 3/8"=1'-0"



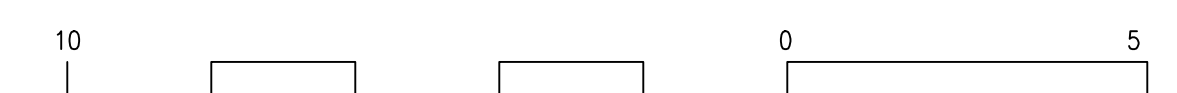
2 TOILET #22 - ELEVATION
A4.02 3/8"=1'-0"



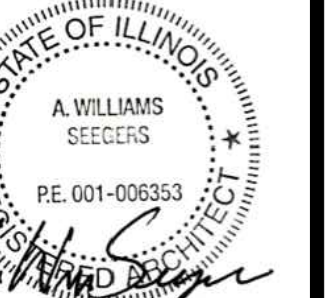
1 TOILET #22 - ELEVATION
A4.02 3/8"=1'-0"



4 OFFICE #14 - ELEVATION
A4.02 3/8"=1'-0"



EXPIRES 11-30-2018



I hereby certify that these plans were prepared under my supervision and that they comply, to the best of my knowledge, with all the building codes and ordinances of the city of Chicago, IL.

NO.	DATE	DESCRIPTION
1	01.11.18	IN-PROGRESS
2	01.31.18	CLIENT REVIEW
3	02.22.18	ISSUE FOR BID
4	03.30.18	ISSUE FOR PERMIT

A. WILLIAM SEEGERS ARCHITECTS

Chicago, Illinois 60661
Phone 312-454-0999 E-mail AWSeggers@gmail.com
117 North Jefferson St., Suite LL3B
Chicago, Illinois 60661
Phone 312-454-1456 Fax 1-312-454-1456

Drawing Title:
1st Floor Upgrade Repairs
2101 S. Michigan Avenue
Chicago, IL

DESCRIPTION:
Interior Elevations

JOB NO. 1701
DRAWN BY: AWS
CHECKED BY: AWS
DATE: 10-06-17

SHEET NO.
A4.02